

Instruction manual *For safety cabinet*



Model G2004B

CONTENT

1.	Description / Use	Page 2
2.	Technical features	Page 2
3.	Installation and commissioning	Page 2
4.	Internal equipments	Page 3
5.	Storage	Page 3
6.	Ventilation	Page 3
7.	Safety controls	Page 4
8.	Spare parts	Page 5
9.	Recycling	Page 5
10.	Warranty	Page 5
11.	Control sheet for the user	Page 7

1. DESCRIPTION / USE

Flammable products have to be stored in safety cabinets. These cabinets possess a 20-mm thickness of mineral fiber insulation, as to delay the spread of an eventual fire. Each cabinet has retention shelves, allowing locating any leak of product.

2. TECHNICAL FEATURES

Compliance :

- 20-mm thickness of mineral fiber insulation, classified A1 according to the standard NF EN ISO 1182
- Standardized pictograms compliant with the standards ISO 3864, ISO 7010, NF X8.003 and the directive 92/58/CEE

Technical features :

- Construction in 12/10th steel + white epoxy paint RAL 9010
- 20-mm thickness of mineral fiber insulation
- Two swing doors
- Standardized pictogram provided « flammables », « noxious » or « toxics »
- Manual doors
- 2-point locking-system
- Shelves adjustable in height
- Air inlet and outlet
- External dimensions : H 2095 x W 1000 x D 450 mm
- Internal dimensions : H 1945 x W 950 x D 400 mm
- Storage capacity : 250 liters
- Loading capacity : 75 KG per shelf
- Weight : 145 KG

3. INSTALLATION AND COMMISSIONING

Installation

The safety cabinet has to be installed on a flat surface that can bear its weight with the products inside.

Ensure that the safety cabinet is correctly wedged, as for the cabinet not to topple. The eventual blocking has to be done by the user.

The correct leveling of the cabinet must cart off any distortion of the frame, allow the doors to be strictly parallel compared to the frame, and take away any rubbing of the doors on the cabinet's frame.

The installation location must guarantee :

- That it is not exposed to any heat source
- That it is protected against moisture and that the ambient temperature of the location is neither less than 5°C, nor more than 40°C

Transport and handling

The safety cabinet that you received has been protected and transported in optimal conditions, as to be protected from any damage.

It has to be lifted only by suitable equipment (suction cup, strap...). It has to be carried in a vertical position, and it must not be lying. It is imperative not to tilt the cabinet when it is carried. Indeed it can cause damages that can alter the right functioning of the cabinet.

On the other hand, if it has to be moved, the cabinet has to be placed on a pallet and strapped, as to avoid any fall.

Commissioning

After having unwrapped the cabinet, ensure that you also received a set of two keys.

Your safety cabinet has to be installed, used and maintained as to guarantee the users protection.

4. INTERNAL EQUIPMENTS

The cabinet is provided with 5 shelves. This must be fixed at the chosen height thanks to the rack and pinion.

Take care not to exceed the loading capacity per shelf of 75 KG.

5. STORAGE

Your safety cabinet is exclusively destined to store chemicals in laboratories, industries, schools... in closed containers.

It must not store high concentrated corrosive products.

We remind you that the storage of corrosives can alter the quality of your safety equipment. On the other hand, we remind you that damages due to a bad use of the equipment and in particular to corrosion won't be covered by our warranty.

6. VENTILATION

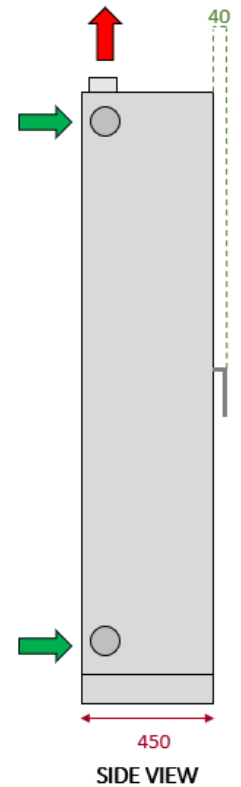
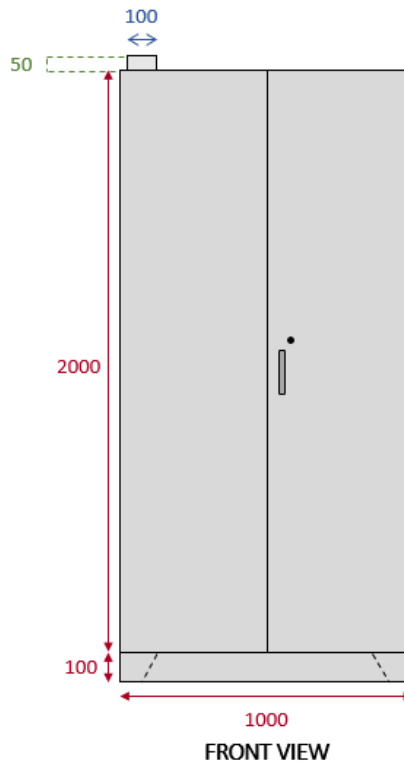
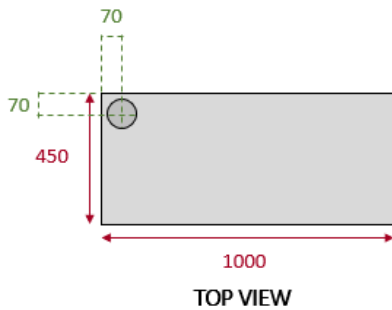
We highly recommend connecting your safety cabinet to a ventilation system, as to evacuate the eventual vapors contained in it.

The air renewal has to be at least 10 times the volume of the cabinet, per hour. Moreover, ensure that the ventilation runs 24h/7.

Connection to a ventilation system

The air inlets are situated on the side of the cabinet, and the air outlet on the top.

Model	ECOSAFE www.ecosafesa.com
G2004B	
Scale 1 : 15 Measure unit : mm Date : 06/03/2019	
Chemin des Champs Courbes 15 – Zone Industrielle de Valleraie Est CH-1024 Ecublens Tel : +41 (0)21 694 10 04 ECOSAFE reserves the right to discontinue or change specifications at any time without notice.	



How to choose a ventilation or a filtration box ?

Ventilation boxes are connected to the safety cabinet with a connecting kit (including a connecting sleeve, 2 hose clamps and 1 meter of flexible sheath) ; the fan included in the box extracts the toxic vapors contained in the cabinet, and reject it to the outside of the building thanks to the roof or wall extraction.

If you cannot reject the vapors to the outside, you need a filtration box.

Filtration boxes are equipped with an activated carbon filter, which purifies the toxic vapors in the box, and rejects it in the room in a healthy fashion. Filtration boxes are delivered with the activated carbon filter that you need to renew once a year.

Running without any mechanic ventilation

It is possible for your safety cabinet to run without mechanical ventilation. However, your cabinet has to be placed in a location that provides its own ventilation system (at least 5 times the volume of the location, per hour).

The cabinet itself and a radius of 2,5 meters directly around is a dangerous area subject to explosions.

On the other hand, if the ventilation system of your cabinet is not running, you have to indicate it, by putting an etiquette on the cabinet, saying “Safety cabinet not connected to the mechanic ventilation” (etiquette is not provided).

7. SAFETY CONTROLS

Your safety cabinet is a safety equipment. As to guarantee its perfect efficiency, you have to check the equipment regularly.

Daily safety controls :

- Check if the products (liquids, powders...) have flowed in the containment sumps. If it has, they have to be emptied and cleaned promptly, with suitable equipment (absorbent mat...).
- Check that the cabinet and its internal equipments are not corroded.
- Check that the cabinet does not have any mechanical damages.
- Check the proper closing of the doors.
- Check the proper working of the locking system.

Monthly safety controls :

- Check the proper working of the doors (opening and closing)
- Check the working of your ventilation system thanks to, for example, a piece of paper
(*Only if your cabinet is connected to a mechanical ventilation system*)

8. SPARE PARTS**Elements :**

- Handle with integrated locking system : *Contact us*
- Standardized pictogram : P/N **PICTO**
- Shelf : P/N **G04**
- Retention tank : P/N **GL04**

9. RECYCLING

The safety cabinet can be entirely dismantled. Various elements such as the steel can be recycled. Ensure to respect the national and local waste disposal terms. Those elements should not be mixed with household waste.

10. WARRANTY

Your equipment holds a 12 months warranty against every manufacturing defect (limited to ordinary conditions of use, from the date indicated on the delivery note).

Our warranty can be applied only in case of manufacturing defects or hidden fault. The warranty covers only the replacement of the faulty goods or pieces indicated by our quality or technical department, as they are the only one able to determine the condition. Repair of the equipment must be performed in our warehouse.

The spare parts are under 3 months warranty upon their settlement.

The warranty cannot be applied in the following cases :

The equipment has not been stored, used or maintained in accordance with the standards by the user

In case of a damage of the equipment by the user or a third party

The equipment had a modification or a repair by the user or a third party, without any prior written authorization by ECOSAFE

In case of a bad use of the equipment

In case of a normal attrition of the equipment

In case of a bad installation of the equipment

In case of damage caused by the corrosion

The activation of the warranty won't extend the term. Our warranty stops if the customer has not notified us in a 7 days term after seeing the fault ; date that the customer has to prove.

11. CONTROL SHEET FOR THE USER

	YES	NO
The opening and the closing of the doors are working correctly		
The locking system of the doors works correctly		
The mechanic ventilation system is running correctly (if applicable)		
The ventilation system is not obstructed		
The air inlet and outlet are clean		
The standardized pictogram on the door is in good condition and visible		
The door hinges are lubricated		
The locking system is lubricated		
The shelves and the containment sump are clean		
<u>Remarks :</u>		
Date : By : Signature		