

# Instruction manual *For eyewasher*



Model LV13

# CONTENT

---

<b>1.</b>	Description / Use	Page 2
<b>2.</b>	Technical features	Page 2
<b>3.</b>	Location	Page 2
<b>4.</b>	Installation	Page 2
<b>5.</b>	Safety controls	Page 3
<b>6.</b>	Spare parts	Page 4
<b>7.</b>	Warranty	Page 4
<b>8.</b>	Control sheet for the user	Page 5
<b>9.</b>	Annex – Schema	Page 6

## 1. DESCRIPTION / USE

For people's safety, the safety showers and eyewashers are essential in the premises where risks of chemicals projection exist. They are recommended in the chemical and pharmaceutical industries, automobile and food-processing industries, hospitals, water-treatment plants and swimming pools...

The first-aid equipments such as showers and eye-washers have to be installed near the zones of danger. They must remain easy to access at all time and have clear normalized pictogram indications (supplied with our equipments).

## 2. TECHNICAL FEATURES

- Eyewash for internal use
- Compliance with the EN 15154-2
- Wall fixation
- Manual operation
- Pipe in galvanized steel + epoxy paint RAL 6029
- Bowl in ABS + epoxy paint RAL 6029
- Water supply : F ½"
- Water evacuation : F 1 ¼"
- Eyewasher flow : 11,5L / min
- Weight : 5,1 KG

## 3. LOCATION

Safety eyewash have to be installed right next to the hazard zone. They have to be reachable within 10 seconds or 30 meters maximum. We recommend having multiple sets of first-aid equipment in case of simultaneous risk of accidents.

First-aid equipments have to be visible and clearly identifiable through normalized pictograms it is supplied with.

The staff of the company has to be trained to the use of these equipments.

The combined safety shower-eye washer has to be connected to a water supply.

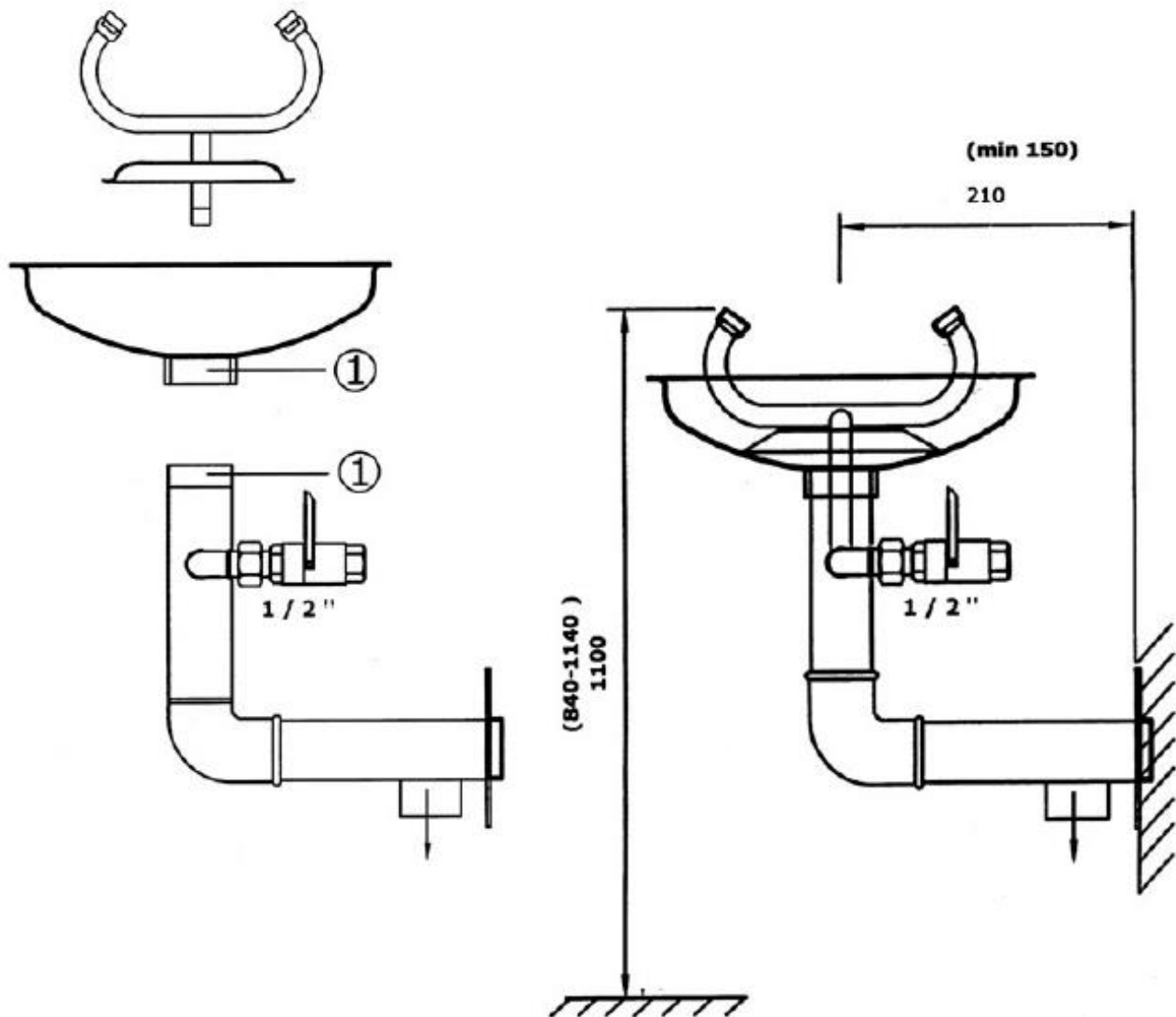
The pressure has to be situated between 2 and 3 bars.

The staff of the company has to be trained to the use of these first-aid equipments.

## 4. INSTALLATION

Once your equipment has been delivered, please ensure that you received all the elements, thanks to the schema in annex.

Then, assemble the equipment, thanks to the outline, too.



We remind you that these equipments have to be mounted and installed by a qualified staff (plumber...).

## 5. SAFETY CONTROLS

As to guarantee the perfect efficiency of the equipment, we highly recommend checking it at least once a week.

### Daily controls :

- Check the efficiency of the valves

### Monthly controls :

- Check the efficiency of the valves
- Check that the water flow works properly
- Check that the pictograms are visible and in a good condition

These checks have to be done by your maintenance department.

You have to clean the equipment with soapy water, as not to deteriorate it.

We remind you that you must wear, for any intervention, appropriate individual protection equipment.

## 6. SPARE PARTS

### Elements :

- Aerator (spray nozzle) : P/N **L137IS**
- Dust covers (set of 2) : P/N **G316IS**
- Twin spray nozzles set : P/N **T555AH75IS**
- Push handle : P/N **J853IS**
- ½" Valve (push handle) : P/N **P849IS**
- Bowl: P/N **U452AJ75IS**
- Pictogram for eye washer : P/N **V669**

## 7. WARRANTY

Your equipment holds a 12 months warranty against every manufacturing defect (limited to ordinary conditions of use, from the date indicated on the delivery note).

Our warranty can be applied only in case of manufacturing defects or hidden fault. The warranty covers only the replacement of the faulty goods or pieces indicated by our quality or technical department, as they are the only one able to determine the condition. Repair of the equipment must be performed in our warehouse.

The spare parts are under 3 months warranty upon their settlement.

The warranty cannot be applied in the following cases :

- The equipment has not been stored, used or maintained in accordance with the standards by the user
- In case of a damage of the equipment by the user or a third party
- The equipment had a modification or a repair by the user or a third party, without any prior written authorization by ECOSAFE
- In case of a bad use of the equipment
- In case of a normal attrition of the equipment
- In case of a bad installation of the equipment
- In case of damage caused by the corrosion

The activation of the warranty won't extend the term. Our warranty stops if the customer has not notified us in a 7 days term after seeing the fault ; date that the customer has to prove.

**8. CONTROL SHEET FOR THE USER**

	YES	NO
The valves work properly		
The water flow works properly		
The pictograms are visible and in good condition		
<u>Remarks :</u>		
Date :		
By :		
Signature		

## Annex - Schema

---

