



Fall Protection

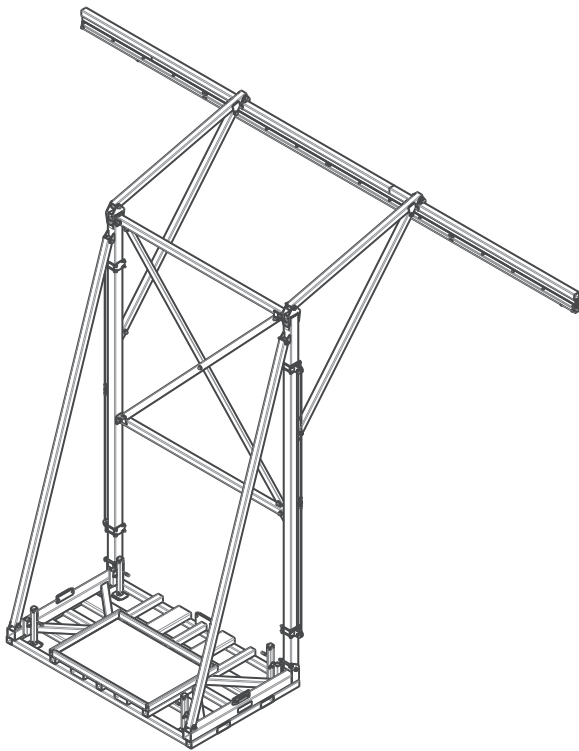
CE	OSHA
CEN/TS 16415:2013 "Type B" EN795:2012 "Type B"	1910.140 1926.502

3M™ DBI-SALA® Flexiguard™ Counterweighted Rail System

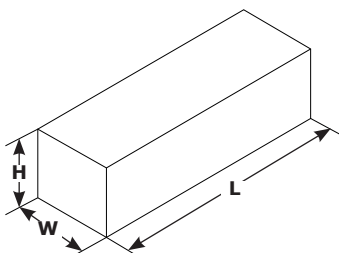
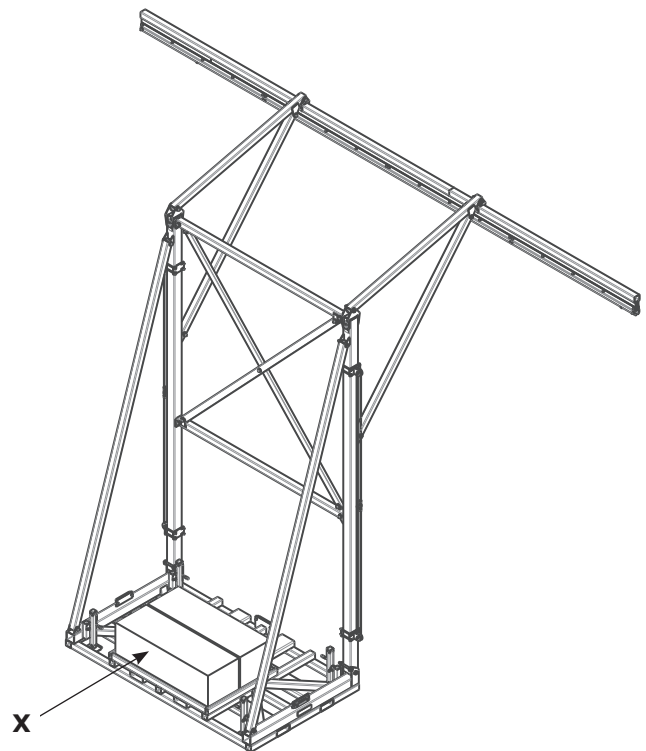
Technical Data Sheet Pack 5908059 Rev. A

Callout	Technical Data Sheet	Description	Page	OSHA	CE
A	8560024	38 ft. (11.5 m) Wide Horizontal Rail System, No Counterweight	2	✓	✓
	8560025	32 ft. (9.7 m) Wide Horizontal Rail System, No Counterweight	2	✓	✓
B	8517761	32 ft. (9.7 m) Wide Horizontal Rail System, Counterweighted	2	✓	
A	8517762	42 ft. (12.8 m) Wide Horizontal Rail System, No Counterweight	2	✓	
B	8517763	42 ft. (12.8 m) Wide Horizontal Rail System, Counterweighted	2	✓	

A



B



X	H	W	L	lb. (kg)
2x	2.0 ft. (61 cm)	2.0 ft. (61 cm)	6.0 ft. (183 cm)	≥3,500 lb. (1,588 kg)

Counterweighted Rail System

TECHNICAL DATA SHEET: 8560024-25, 8517761-63

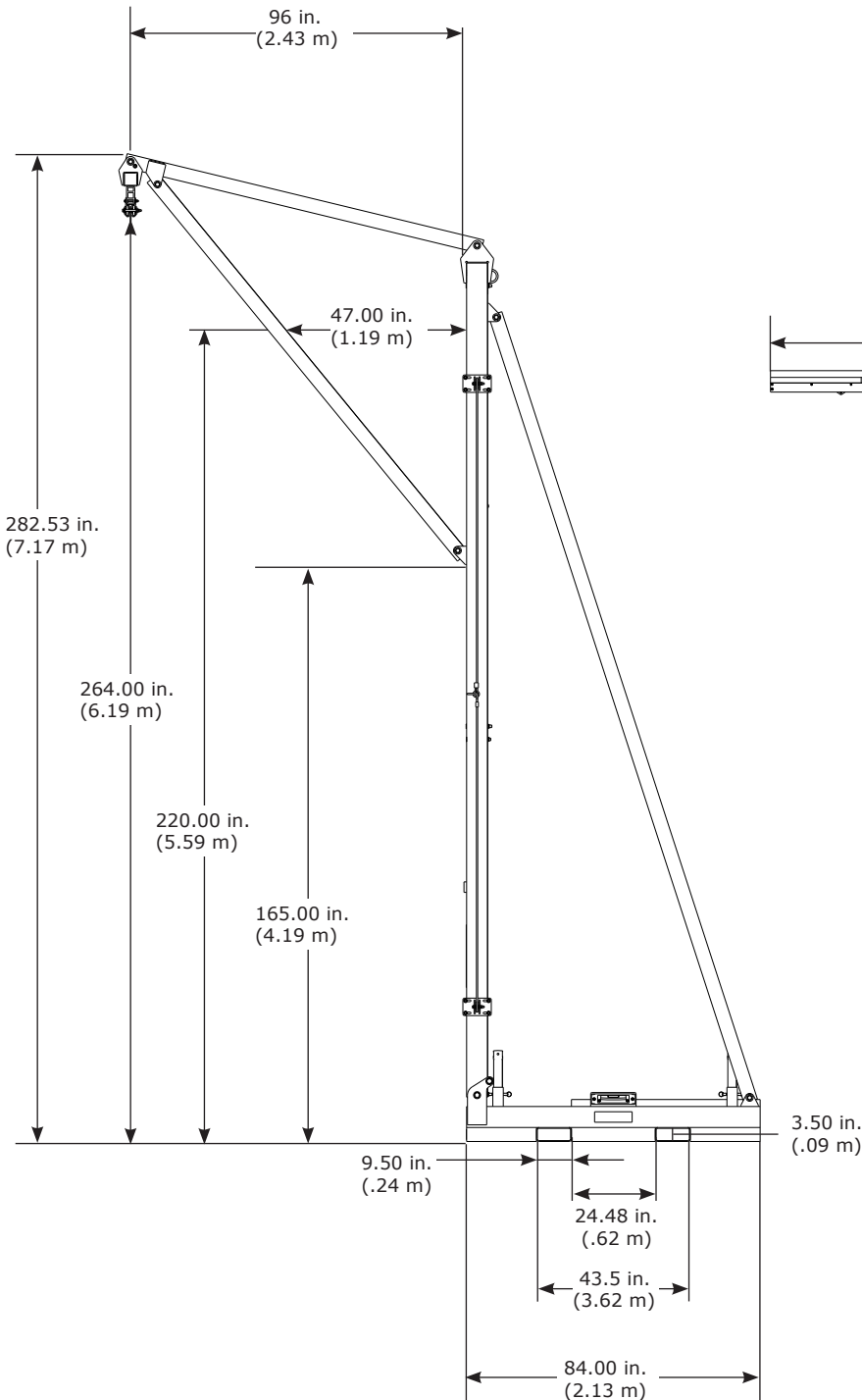


Fall Protection

APPLICATION:

The Counterweighted Rail System is designed to provide anchorage connection points for a Fall Protection system.

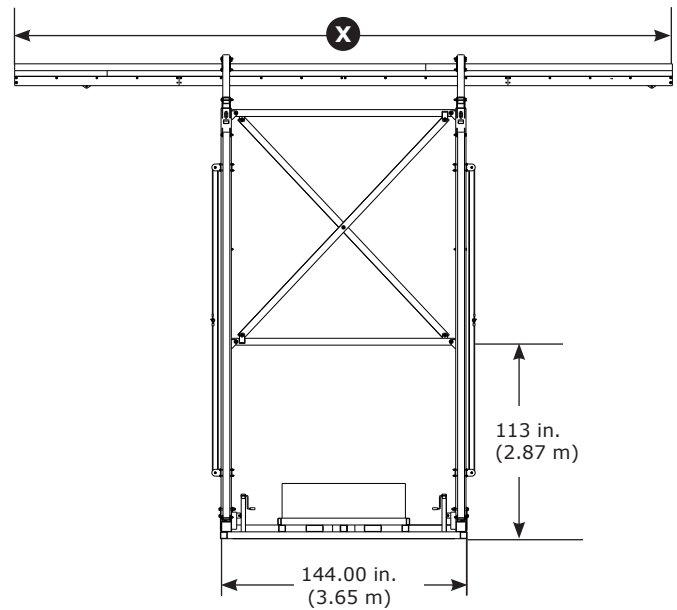
For more information on product installation, refer to the 3M instruction manual for the Counterweighted Rail System (5903683).



$\leq 310 \text{ lbs.}$ (140 kg) + $\leq 310 \text{ lbs.}$ (140 kg)

CE 2797
 $\leq 1,350 \text{ lb.}$ (6 kN) MAF
 CEN/TS 16415:2013 "TYPE B"
 EN795:2012 "TYPE B"

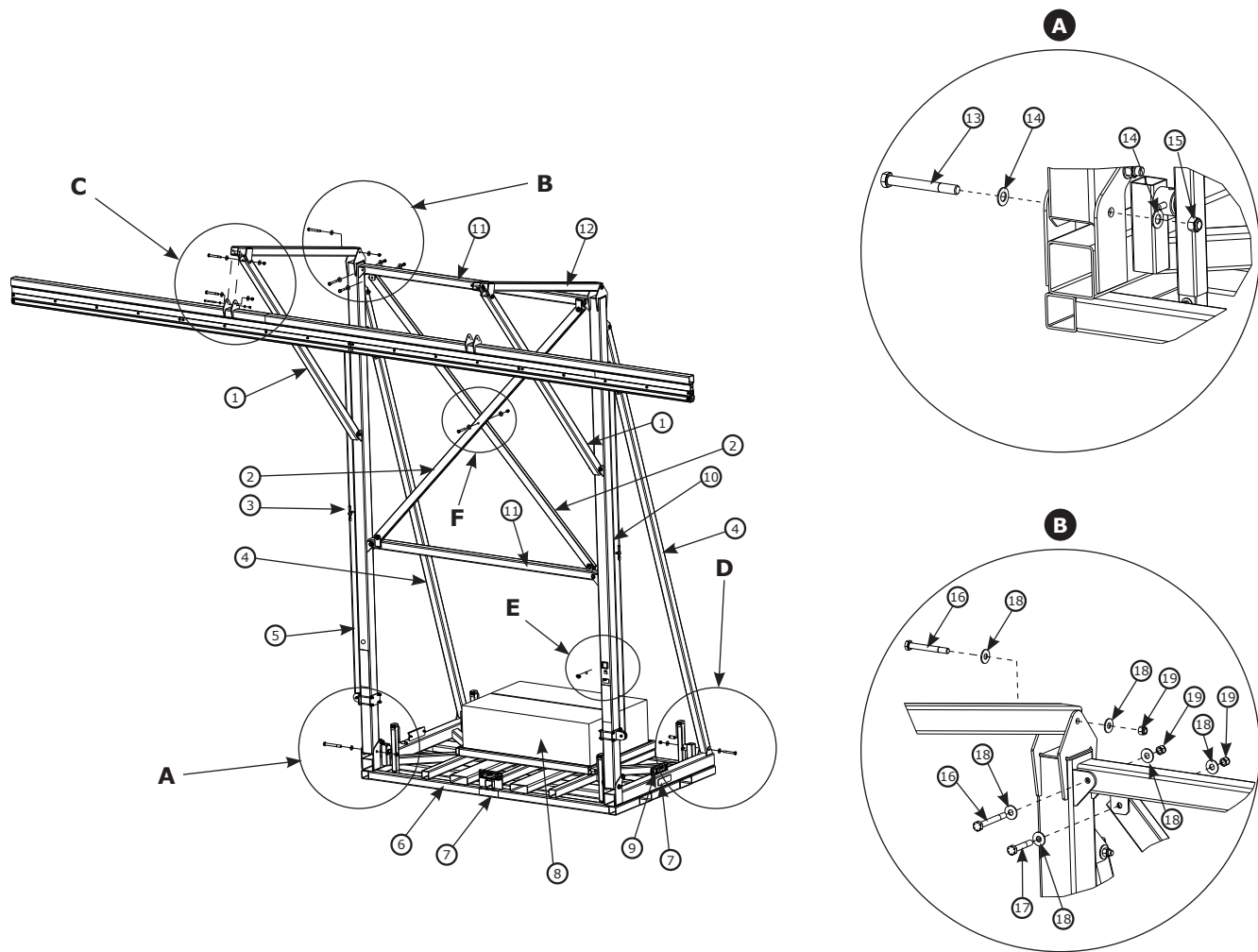
OSHA
 $\leq 1,350 \text{ lb.}$ (6 kN) MAF
 1926.502 / 1910.140 & $\leq 900 \text{ lb.}$ (4 kN) AAF



	X	lb. (kg)
8560024	456.00 in. (11.58 m)	4,480 lb. (2,032 kg)
8560025	384.00 in. (9.75 m)	4,420 lb. (2,005 kg)
8517761	384.00 in. (9.75 m)	11,420 lb. (5,180 kg)
8517762	504.00 in. (12.80 m)	4,570 lb. (2,073 kg)
8517763	504.00 in. (12.80 m)	11,570 lb. (5,248 kg)

Counterweighted Rail System Components

TECHNICAL DATA SHEET: 8560024-25, 8517761-63

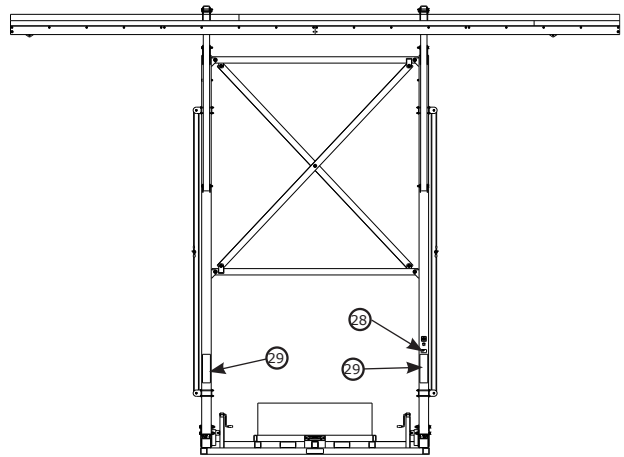
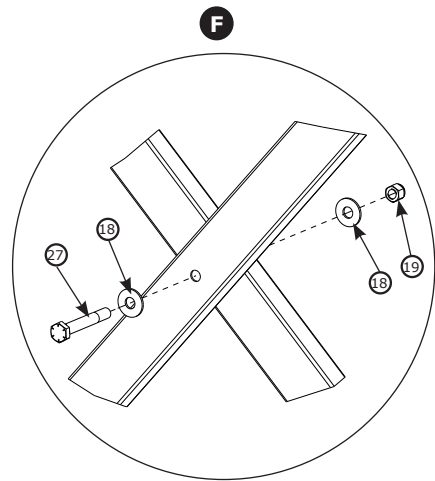
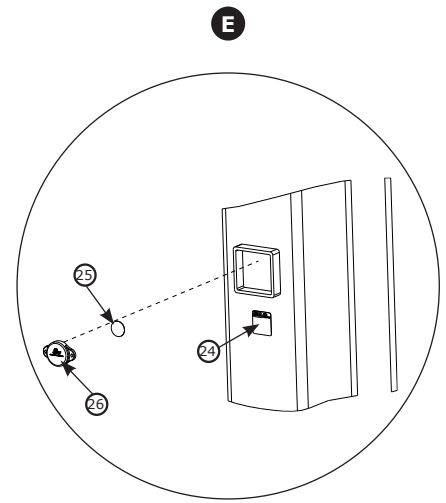
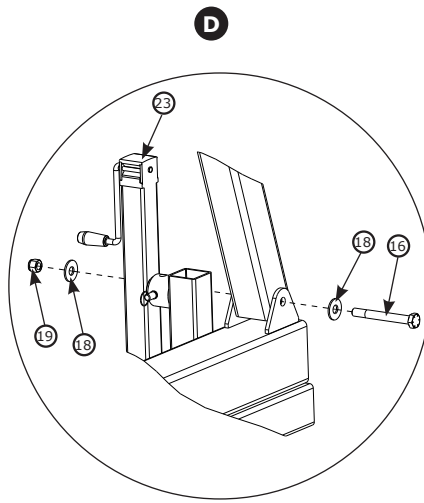
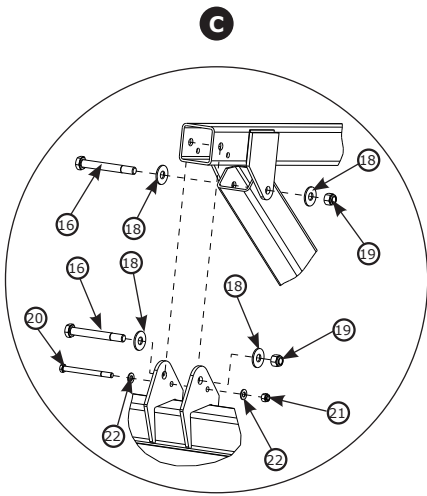


Component List				
	Part Number	Description	Material	Quantity
①	8529836	Gusset Tube	Aluminum	2
②	8529829	Cross Tube	Aluminum	2
③	8540485	Pulley Kit	Aluminum, Nylon	2
④	8548569	Rear Gusset	Steel	2
⑤	8529850	Left Upright	Steel	1
⑥	8546574	Counterweight Base	Steel	1
⑦	9511857	Weight Label	Polyester	3
⑧	9505399	Concrete Weight	Concrete	2
⑨	8543372	Slope Indicator	Plastic, Aluminum	2

Component List				
	Part Number	Description	Material	Quantity
⑩	8545288	Right Upright	Steel	1
⑪	8529831	Crossbar	Aluminum	2
⑫	8529845	Rail Support Arm	Aluminum	2
⑬	8525500	1x9 Bolt	Steel	1
⑭	9500589	1 in. Washer	Steel	8
⑮	8522156	1 in. Lock Nut	Steel	4
⑯	9505395	3/4x6 Bolt	Steel	16
⑰	9502735	3/4x4 Bolt	Steel	4
⑱	M970033018	3/4 in. Washer	Steel	42
⑲	8518276	3/4 in. Lock Nut	Steel	21

Counterweighted Rail System Components

TECHNICAL DATA SHEET: 8560024-25, 8517761-63



Component List				
	Part Number	Description	Material	Quantity
Ⓐ	9500445	1/2x6 Bolt	Steel	2
Ⓑ	9501831	1/2 Lock Nut	Steel	2
Ⓒ	8510037	1/2 in. Washer	Steel	4
Ⓓ	8526970	Jack Assembly	Steel	1
Ⓔ	9502313	RFID Label	Polyester	1
Ⓕ	9503839	Adhesive Disc	Acrylic	2
Ⓖ	9505636	RFID Tag	Plastic	1
Ⓗ	8514416	3/4x5 Bolt	Steel	1
Ⓘ	9514429	ID Label	Polyester	1

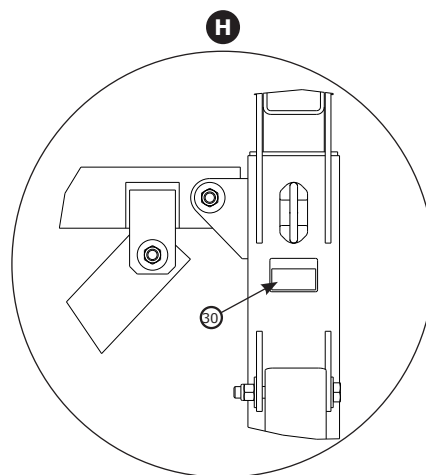
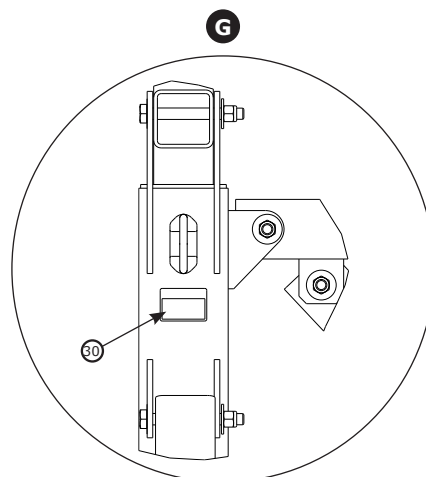
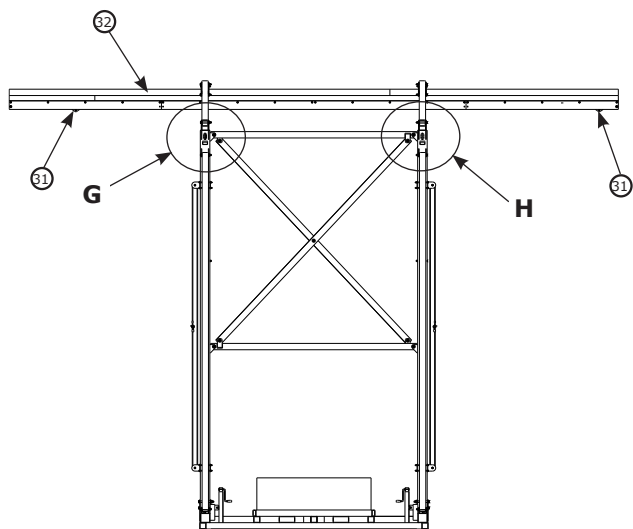
Component List					
	Part Number	Model Number	Description	Material	Quantity
Ⓙ	9515555	8517761	User Label	Polyester	2
	9510749	8560024			
	9510749	8560025			
	9515555	8517762			
	9515555	8517763			

Counterweighted Rail System Components

TECHNICAL DATA SHEET: 8560024-25, 8517761-63



Fall Protection



Component List				
	Part Number	Description	Material	Quantity
30	9505175	Lifting Label	Polyester	2
31	8522028	Trolley	Stainless Steel, Plastic	2

Component List					
	Part Number	Model Number	Description	Material	Quantity
32	8529838	8517761	Rail Assembly	Aluminum	1
	8529845	8560024			
	8529838	8560025			
	8542851	8517762			
	8542851	8517763			

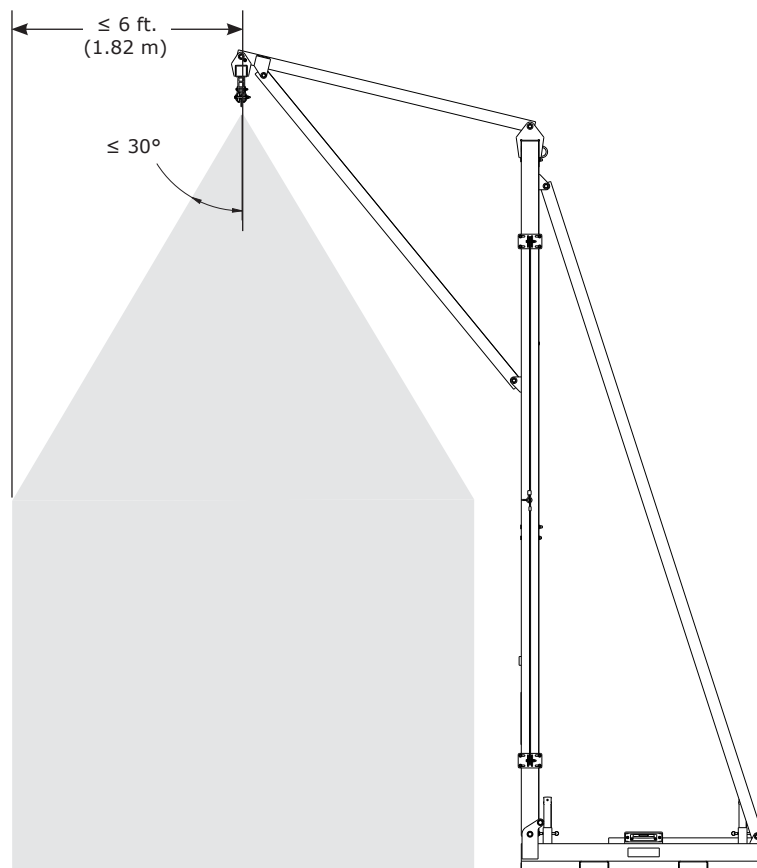
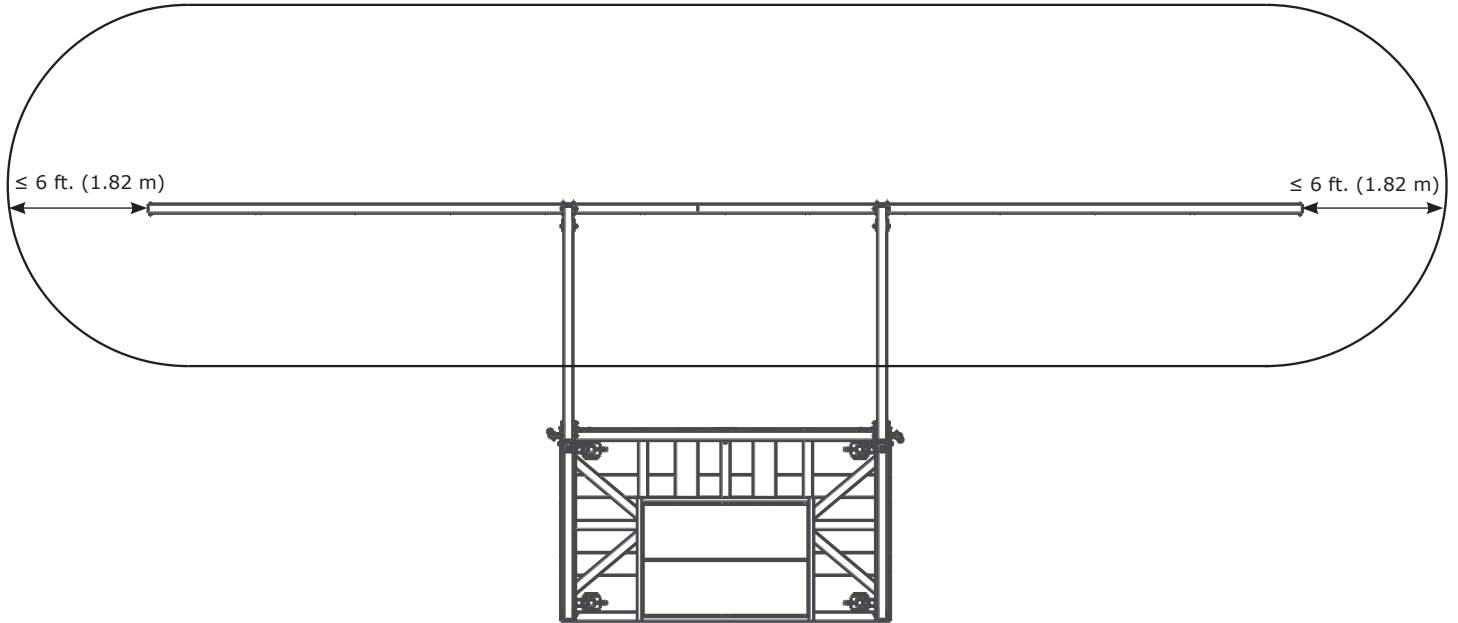
Counterweighted Rail System Working Area

TECHNICAL DATA SHEET: 8560024-25, 8517761-63



APPLICATION:

Refer to the diagram below for the working area of the Counterweighted Rail System. Do not exceed 30° maximum safe working angle or 6 ft. (1.82 m) safe working radius from the system anchor point, whichever comes first.





Fall Protection

USA

3833 SALA Way
Red Wing, MN 55066-5005
Toll Free: 800.328.6146
Phone: 651.388.8282
Fax: 651.388.5065
3Mfallprotection@mmm.com

Brazil

Rodovia Anhanguera, km 110
Sumaré - SP
CEP: 13181-900
Brasil
Phone: 0800-013-2333
falecoma3m@mmm.com

Mexico

Av. Santa Fe No. 190
Col. Santa Fe, Ciudad de Mexico
CP 01219, Mexico
Phone: 01 800 120 3636
3msaludocupacional@mmm.com

Canada

600 Edwards Blvd, Unit #2
Mississauga, ON L5T 2V7
Phone: 905.795.9333
Toll-Free: 800.387.7484
Fax: 888.387.7484
3Mfallprotection-ca@mmm.com

EMEA (Europe, Middle East, Africa)

EMEA Headquarters:
Le Broc Center
Z.I. 1re Avenue - BP15
06511 Carros Le Broc Cedex
France
Phone: + 33 04 97 10 00 10
Fax: + 33 04 93 08 79 70
informationfallprotection@mmm.com

Australia & New Zealand

137 McCredie Road
Guildford
Sydney, NSW, 2161
Australia
Toll-Free : 1800 245 002 (AUS)
Toll-Free : 0800 212 505 (NZ)
3msafetyaucs@mmm.com

Asia

Singapore:
1 Yishun Avenue 7
Singapore 768923
Phone: +65-6450 8888
Fax: +65-6552 2113
TotalFallProtection@mmm.com

China:

38/F, Maxdo Center, 8 Xing Yi Rd
Shanghai 200336, P R China
Phone: +86 21 62753535
Fax: +86 21 52906521
3MFallProtecton-CN@mmm.com

Korea:

3M Koread Ltd
20F, 82, Uisadang-daero,
Yeongdeungpo-gu, Seoul
Phone: +82-80-033-4114
Fax: +82-2-3771-4271
TotalFallProtection@mmm.com

Japan:

3M Japan Ltd
6-7-29, Kitashinagawa, Shinagawa-ku, Tokyo
Phone: +81-570-011-321
Fax: +81-3-6409-5818
psd.jp@mmm.com

WEBSITE:
3M.com/FallProtection



EU DECLARATION OF CONFORMITY:
3M.com/FallProtection/DOC